

Avery Weigh-Tronix

WI-125 LED Indicator with Keypad and LED Display

Washdown safe
Numeric keypad
Easy operation
Fast-reading
LED display

Enclosed in a stainless steel NEMA 4X case, the WI-125 LED Indicator will serve you effectively in wet or dry environments. And its crisp, easy-reading LED display will speed any weighing process.



WI-125 LED Indicator with Keypad and LED Display

Features and benefits

Six function keys— No confusing functions. Train operators in minutes.

LED display— Bright, crisp, fast-reading. Speeds weighing process and reduces operator error.

NEMA 4X washdown— Stainless steel enclosure provides corrosion and washdown resistance to rough indoor and outdoor use.

Numeric keypad— Makes tare entry more flexible. Enter known weights from the keypad, or use the TARE key to enter container weights.

RS-232 serial port— Provides link with printers and computers.

Remote key inputs— Logic level inputs for Zero, Print, Tare.

Print formatting— Customize your printout with company name, message, character size and location, etc. right from the front panel.

Heavy-duty swivel mounting stand— Adjust the display quickly to the best sight line.

RFI protection— Provides stable weight readings in environments with moderately high levels of RFI radiation.

Single channel accumulation— Prints each weightment individually, then provides count and total weight.

Options

Time and date

8 Cutoffs (setpoints)

Analog output (0-5v, 0-10v, 1-5mA, 4-20mA, 10-50mA)

Specifications

Power:

115 volts AC/230 volts AC, 50/60 Hz single phase

Display:

Eight .6-inch high LED digits with LED annunciators

Display rate:

Configurable to 1, 2, or 5 times per second

Display averaging:

A to D conversion rate: 60 times per second

Internal resolution:

884,736 counts at 3 mV/V

294,912 counts at 1 mV/V

Increments:

0.0001 to 20,000 programmable to any division size between these limits.

Controls:

GROSS/NET, TARE, ZERO, PRINT, UNITS, MENU, Keypad (0-9)

Annunciators:

Gross, net, center of zero, print, lb and kg

Excitation:

10 VDC

Load cells:

Drives up to 12 350-ohm Weigh Bars® or load cells

Agencies:

NTEP, CC#92-167A4 Class III/III L
Canadian Weights and Measures, #AM 4868
CSA
FCC Class A
UL/CUL

Analog range: -0.14 to +3.5 mV/V

Environment:

-10 to 40° C (14 to 104° F)

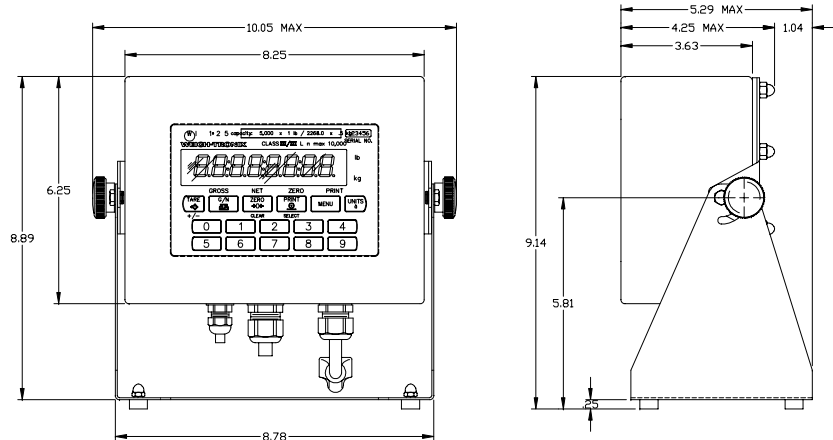
10 to 90% relative humidity

Shipping weight: 6.5 lb (2.9 kg)

Dimensions:

8.25"W x 6.25"H x 4.25"D (without mounting bracket)

10.05"W x 8.89"H x 5.29"D (with mounting bracket)



Avery Weigh-Tronix

Fairmont, Minnesota U.S.A.
USA Toll-Free: 800-368-2039
USA Phone: 507-238-4461
www.wtxweb.com

Pointe Claire, Quebec Canada
CAN Toll-Free: 800-561-9461
CAN Phone: 514-695-0380
www.weigh-tronix.ca

