

# HVR-FLIP

# Starrett®

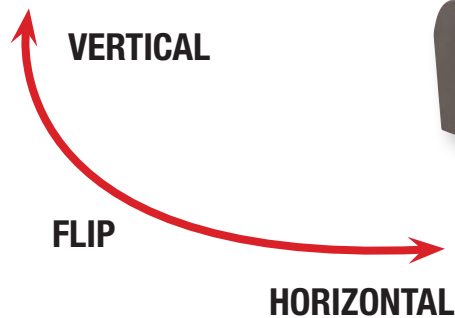
## METROLOGY SOLUTIONS

The all new "HVR-Flip" from Starrett is the latest in a line of video-based measurement systems. The HVR-Flip has the unique characteristic of being used in either a vertical or horizontal format offering tremendous versatility and value.



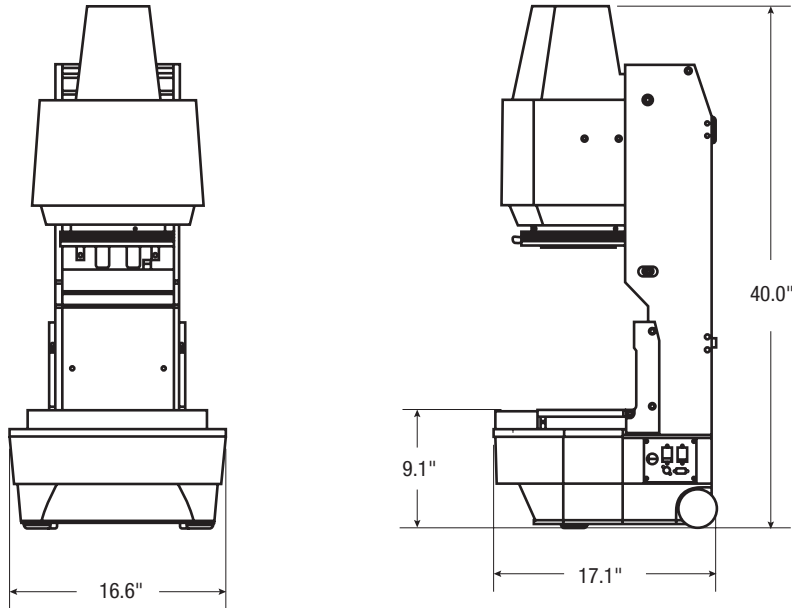
### FEATURES

- Rapidly measure parts up to 3.65 x 3"
- Working distance of 10"
- Measure a single feature, an entire part, or multiple parts
- MetLogix™ M3 software allows for easy one-touch feature measurement
- Auto-detect part recognition
- DXF Import - Electronic overlay for quick part comparison
- Export features to DXF
- Compare complex profiles with discreet data points and comparison to CAD
- Graphic based "Part View" constructions
- Geometric tolerancing
- Flexible report content and formatting
- Multi-language support
- Optional software modules:
  - Profile fitting
  - Wire insulation
  - Thread measurement
- System can be easily converted from a vertical format to a horizontal format measuring system



CONTACT US FOR YOUR IN-HOUSE DEMONSTRATION

(949) 348-1213 | [sales@starrett.com](mailto:sales@starrett.com)



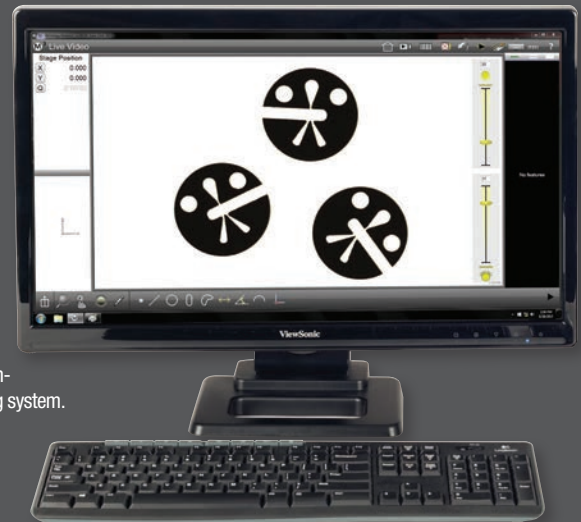
Net Weight: 100lbs



Horizontal Format

**OPERATOR INTERFACE**

MetLogix™ M3 and optional DXF/FOV Best Fitting Software™ offer the best available technology for part comparison and measurement. Displayed on a 24" touch-screen monitor, M3 software supports 3-axis measurements and 2D Geometrical constructs (such as points, lines, angles and rectangles). Live video part images plus geometry image can be resized using pan and zoom, and measurements can be taken by simply tapping a feature on the screen. With the M3 DXF/FOV option pack, DXF CAD files can be imported over a network and be automatically compared to the actual part.



MetLogix™ M3 Software includes 24" touch-screen monitor and Windows® 10 operating system.

